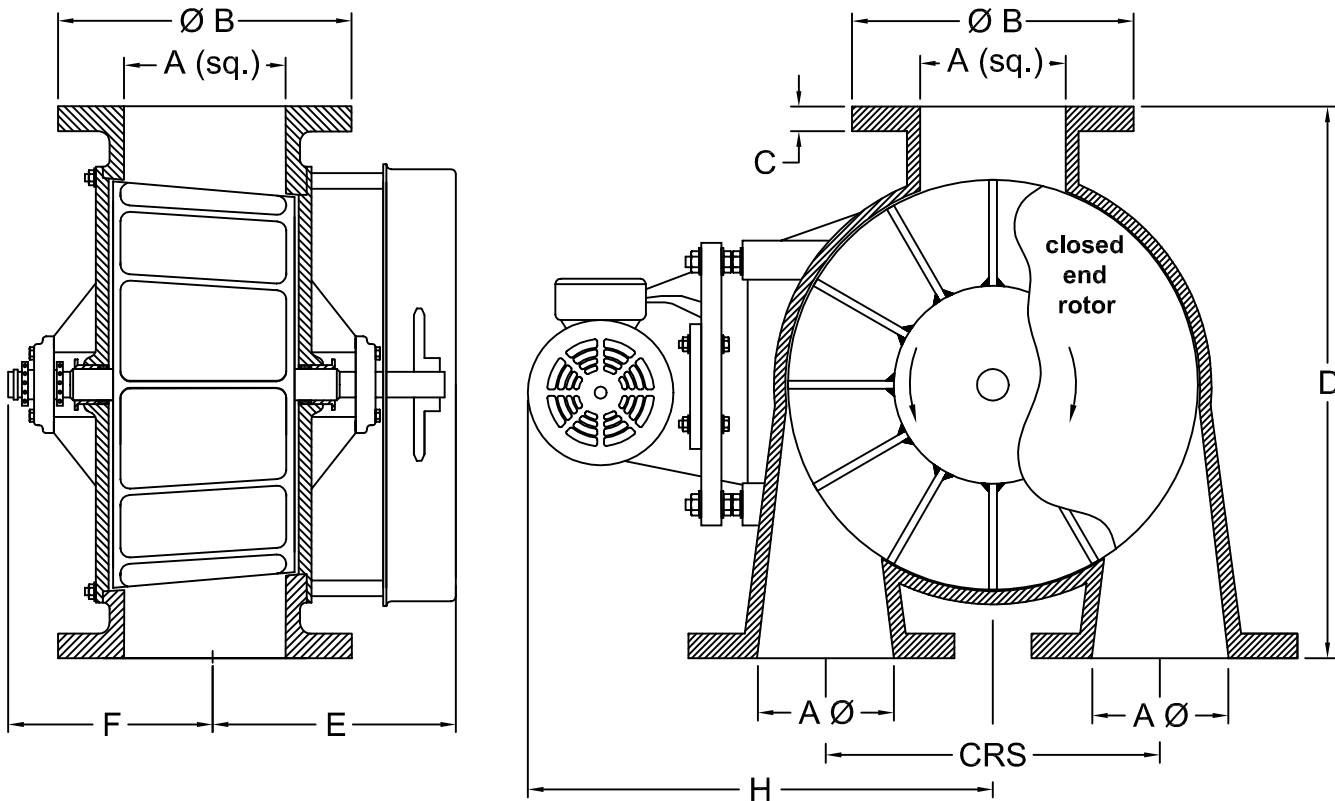


Twin-Outlet Diverting Rotary Valve

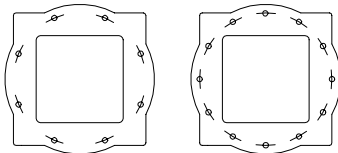
Patents Pending



Do Not Scale - Dimensions for Reference Only

MODEL	flange	cu.ft./rev.	HP	A	B	B1	C	D	E	F	H	centers
SRTO - 15/30	6"	0.22	1/2	6	11	9-1/2	1/2	16-1/2	12-5/8	10-3/8	13-1/2	11-13/16
SRTO - 20/35	8"	0.38	3/4	8	13-1/2	11-1/2	1/2	20	13-5/8	12	15	14-9/16
SRTO - 25/40	10"	0.60	1	10	16	14-1/4	1/2	21-5/8	14-5/8	13-1/8	29	16-17/32
SRTO - 30/45	12"	1.07	1.5	12	19	16-1/2	11/16	25-1/4	18	13-3/8	31	19-11/16
SRTO - 35/50	14"	1.65	2	14	21	18	13/16	30	20-5/8	17-1/8	34	22-13/16

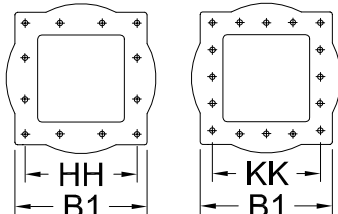
Round Drilling



8 holes
drilled ØAA
off centers
bolt circle ØBB

12 holes
drilled ØCC
on centers
bolt circle ØDD

Square Drilling



12 holes
drilled ØGG
3 equal pitches
dividing HH

16 holes
drilled ØJJ
4 equal pitches
dividing KK

ANSI 150 pattern

square pattern

AA	BB	CC	DD	GG	HH	JJ	KK
7/8	9-1/2	-	-	1/2	8-1/4	-	-
7/8	11-3/4	-	-	1/2	10	-	-
-	-	1	14-1/4	1/2	12-1/2	-	-
-	-	1	17	-	-	1/2	14-1/2
-	-	1-1/8	18-3/4	-	-	1/2	16-1/2

© BUSH & WILTON, INC. 2000

BUSH & WILTON, INC.

P.O. Box 691385 | Charlotte, NC 28227-7024

Tel: 704.573.6858 | Fax: 704.573.6802

mail@bushandwilton.com

http://www.bushandwilton.com