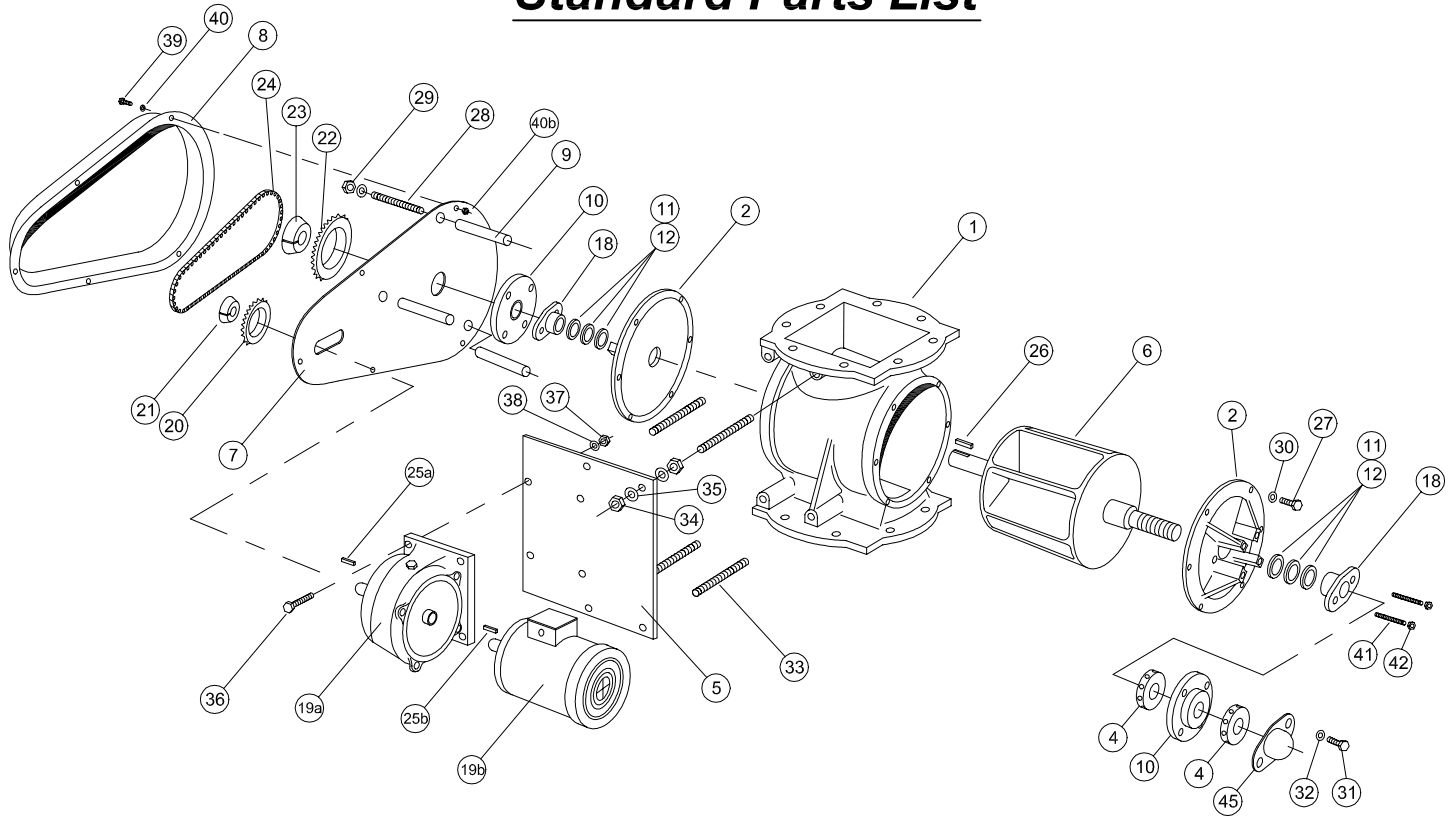


"SR" Series Tapered Rotary Valve

Standard Parts List



Part No.	Description	No. per valve
1	body	1
2	end cover	2
4	rotor adjusting collar	2
5	drive base plate	1
6	rotor	1
7	drive backing back plate	1
8	drive guard cover	1
9	drive guard spacer	3
10	bearing	2
11	packing	6
12	purge lantern ring (optional)	2
18	seal follower	2
19a	gear reducer	1
19b	motor	1
20	driving sprocket	1
21	taperlock bushing	1
22	driven (rotor) sprocket	1
23	taperlock bushing	1
24	roller chain	1
25a	gear reducer key	1

Part No.	Description	No. per valve
25b	motor key	1
26	rotor key	1
27	end cover bolt	9
28	drive guard stud	3
29	drive guard spacer nut	3
30	washer	12
31	bearing bolt	8
32	bearing and follower washer	12
33	motor base plate stud	4
34	motor base plate nuts	12
35	gear reducer base plate washer	8
36	gear reducer bolts	4
37	gear reducer nut	4
38	gear reducer washer	4
39	drive guard cover cap screw	5
40	drive guard cover washer	5
40b	drive guard cover nut	5
41	gland follower stud	4
42	gland follower nut	4
45	bearing cap	1

Copyright 2000 BUSH & WILTON, INC. - All Rights Reserved

BUSH & WILTON, INC.

P.O. Box 691385 | Charlotte, NC 28227- 7024

Tel: 704.573.6858 | Fax: 704.573.6802

mail@bushandwilton.com

http://www.bushandwilton.com