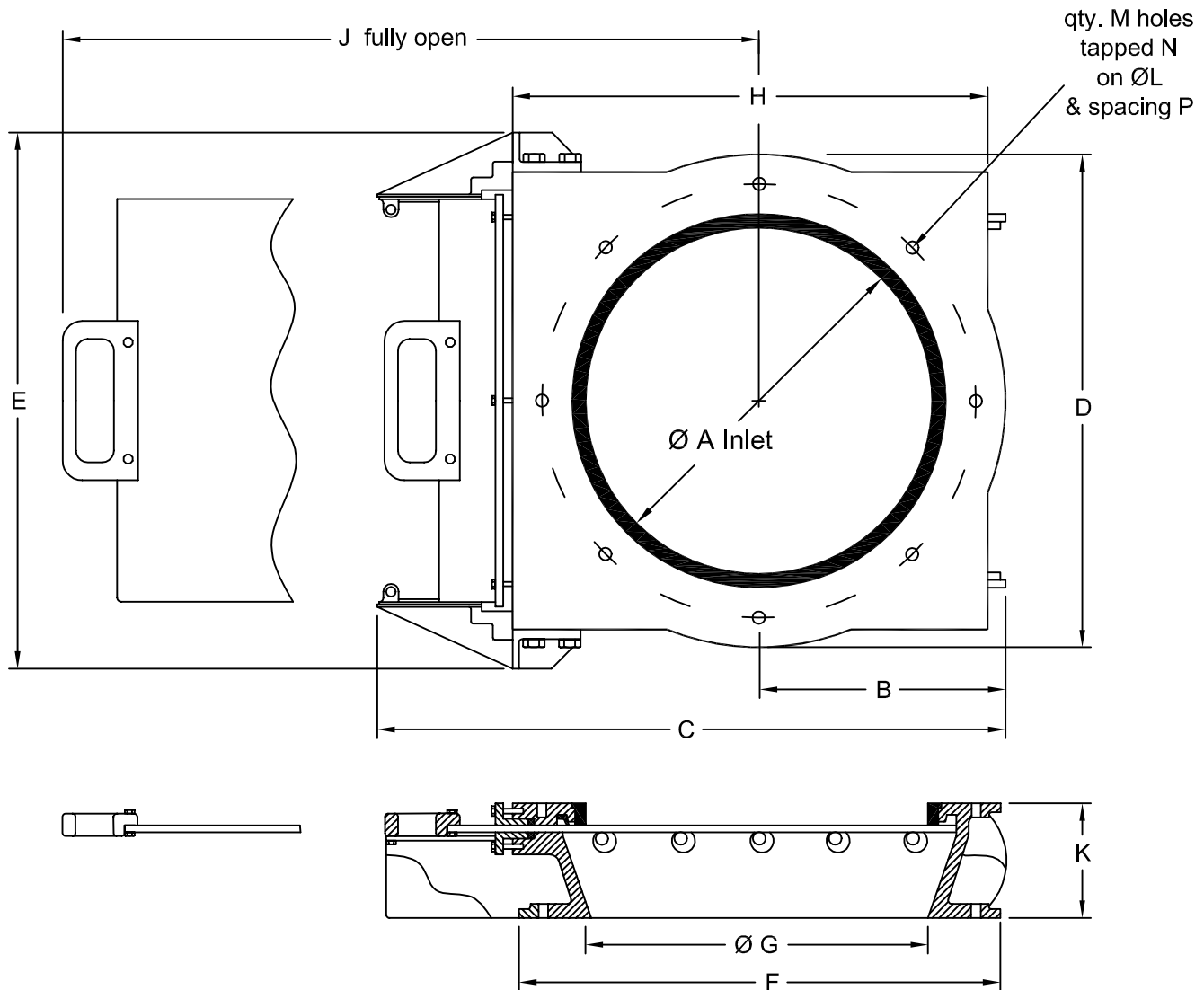


"SBM" Manual Slide Gate Valve



Dimensions are approximate and subject to change without notice.

Model	A	B	C	D	E	F	G	H	J	K	L	M	N	P	Weight
SB15M	6	5-3/16	15-1/2	10-5/8	11-7/8	10-5/8	6	10-5/8	17	3-1/2	9	8	3/8"	45° on-center	20
SB20M	8	6-3/8	17-1/2	12-5/8	13-7/8	12-5/8	8	12-5/8	20	3-1/2	11	8	3/8"	45° on-center	22
SB25M	10	7-3/8	19-1/2	14-5/8	15-7/8	14-5/8	10	14-5/8	23	3-1/2	13	8	3/8"	45° on-center	34
SB30M	12	8-3/8	21-3/8	16-1/2	17-7/8	16-1/2	12	16-1/2	26	3-1/2	15	8	3/8"	45° on-center	35
SB35M	14	10-1/2	26-3/4	21	20-1/4	21	14	21	32	4	18-3/4	12	1/2"	30° off-center	64
SB40M	16	11-13/16	31-1/2	23-1/2	23-5/8	23-1/2	16	23-1/2	36	4	21-1/4	16	1/2"	22.5° off-center	90

weights are for aluminum - iron & stainless are 2X weights shown

Copyright 2000 Bush & Wilton, Inc. - All Rights Reserved

BUSH & WILTON, INC.

P.O. Box 691385 | Charlotte, NC 28227-7024
Tel: 704.573.6858 | Fax: 704.573.6802

mail@bushandwilton.com
http://www.bushandwilton.com