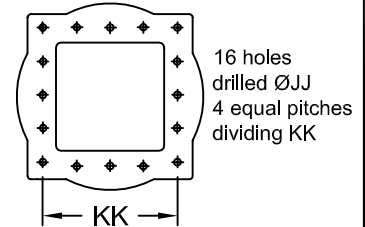
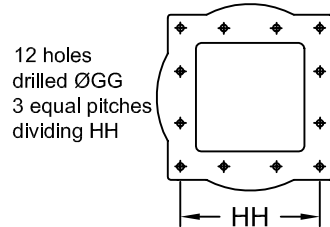
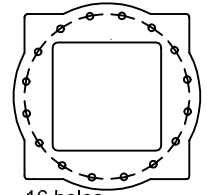
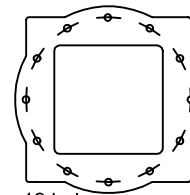
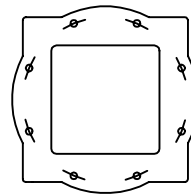
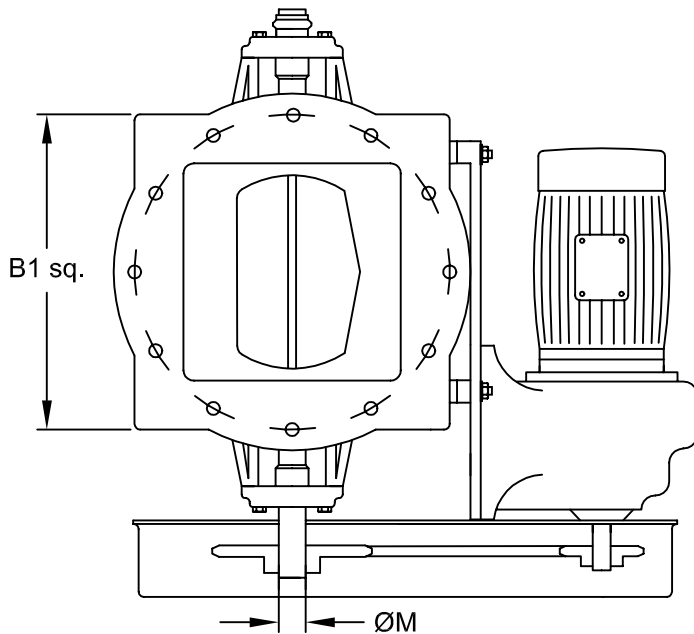
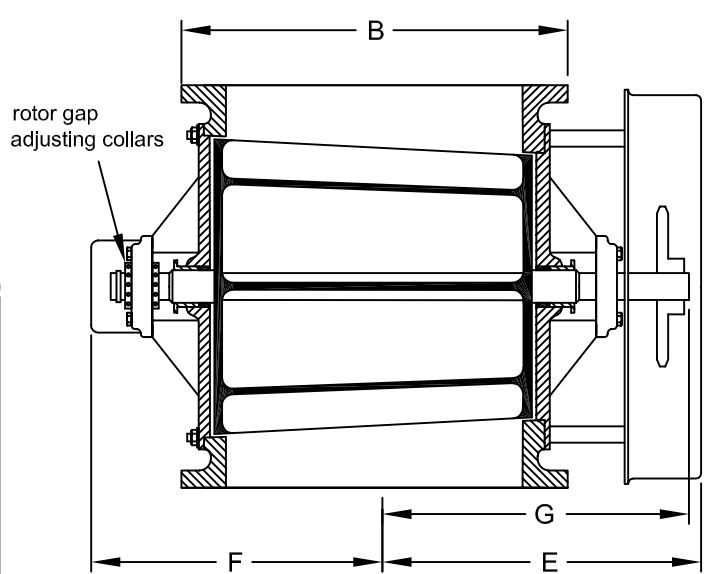
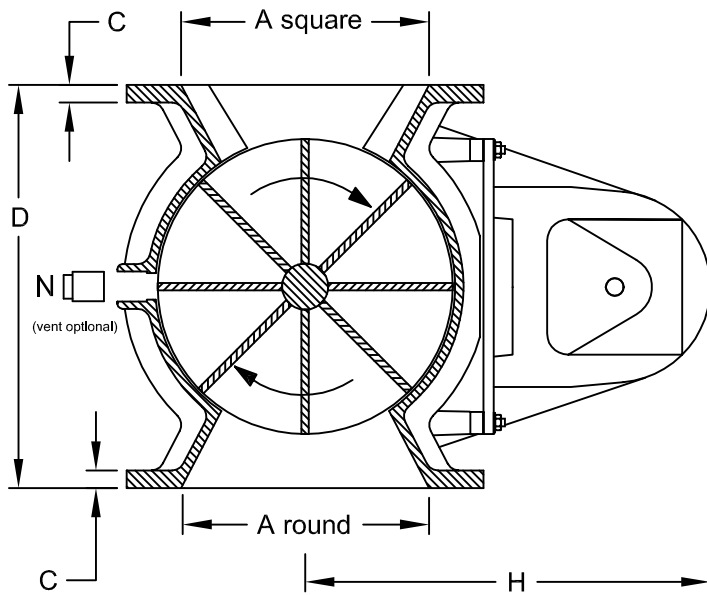


# "SR" Series Tapered Rotary Valve



Dimensions are approximate and subject to change without notice.

MODEL	cu. ft. per revolution [1]	HP [2]	A	B	B1	C	D	E	F	G	H	M	N	AA	BB	CC	DD	EE	FF	GG	HH	JJ	KK	weight
SR10	0.030	1/4	4				7-1/4																	120
SR15	0.053	1/2	6	11	9-1/2	1/2	10-5/8	11-5/8	10-3/8	11	15-3/8	30mm	3/4	7/8	9-1/2	-	-	-	-	1/2	8-1/4	-	-	190
SR20	0.135	1/2	8	13-1/2	11-1/2	1/2	12-5/8	13	11	11-1/2	16	30mm	3/4	7/8	11-3/4	-	-	-	-	1/2	10	-	-	220
SR25	0.318	3/4	10	16	14-1/4	1/2	15	14-7/8	13-5/8	14	21	35mm	1	-	-	1	14-1/4	-	-	1/2	12-1/2	-	-	320
SR30	0.465	3/4	12	19	16-1/2	11/16	16-1/2	15-5/8	14	14-5/8	21	35mm	1	-	-	1	17	-	-	-	-	1/2	14-1/2	430
SR35	0.900	1	14	21	18	13/16	19-11/16	16-1/2	15	15-1/4	24	45mm	1-1/2	-	-	1-1/8	18-3/4	-	-	-	-	1/2	16-1/2	580
SR40	1.330	1	16	23-1/2	20-11/16	7/8	21-5/8	17-5/8	16	16-5/8	24	45mm	1-1/2	-	-	-	-	1-1/8	21-1/4	-	-	3/4	18-3/4	740

[1] Capacities for Cast Iron Rotors are 8 % lower - check with factory  
 [2] Rotor Speeds available from 6 to 42 rpm.  
 [3] HP shown is typical and may vary with application.

Copyright 2000 Bush & Wilton, Inc. - All Rights Reserved

## BUSH & WILTON, INC.

P.O. Box 691385 | Charlotte, NC 28227- 7024

Tel: 704.573.6858 | Fax: 704.573.6802

mail@bushandwilton.com

http://www.bushandwilton.com