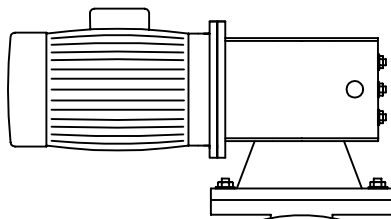
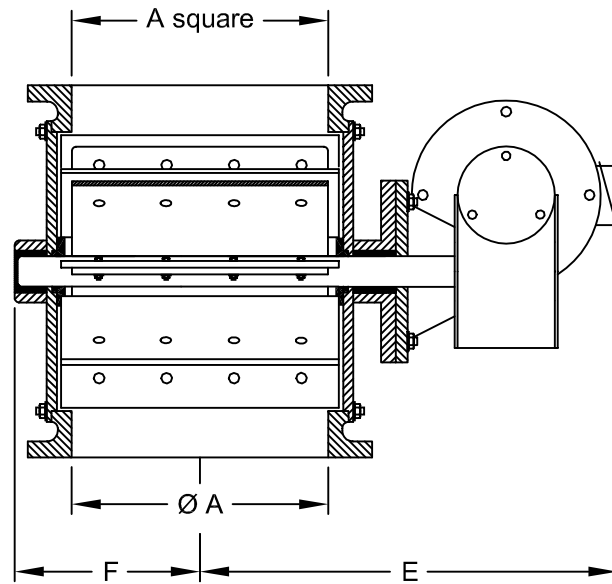
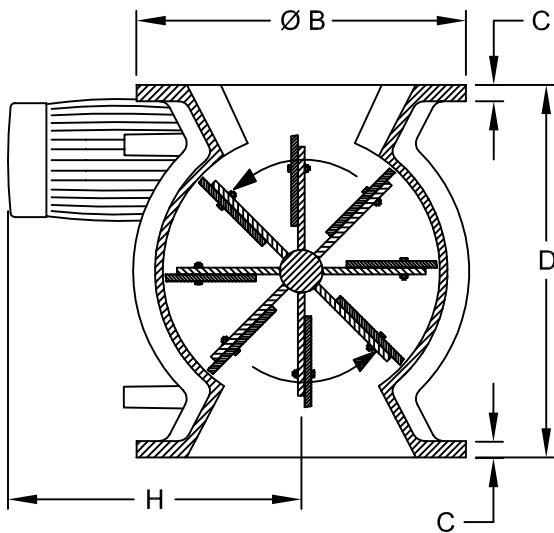
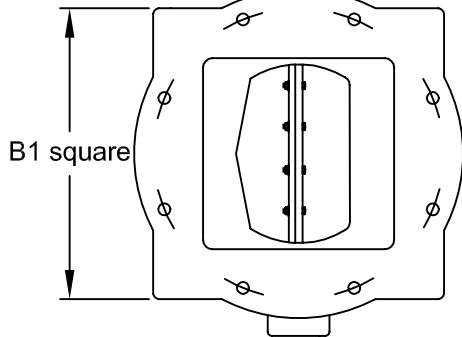


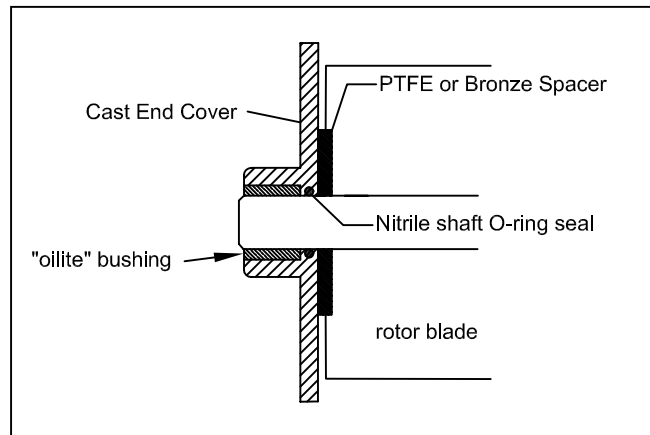
"SRD" Series Rotary Valve



Shown with bolt-on blades.
Solid, half-capacity & quick-clean rotors available.



8 holes drilled ØAA off centers,
bolt circle ØBB
(SRD 25 & SRD 30 on centers)



Dimensions are approximate and subject to change without notice.

MODEL	cu.ft./hour @ 1 rpm	HP [2]	A	B	B1	C	D	E	F	H	J	K	L	weight
SRD15	3.5	1/2	6	11	9-1/4	7/16	10-5/8	12-1/4	5-7/8	11-13/16	8	7/8	9-1/2	100
SRD20	11	1/2	8	13-1/2	11-1/4	1/2	12-9/16	15-1/4	6-7/8	11-13/16	8	7/8	11-3/4	140
SRD25	25	3/4	10	16	14-1/4	1/2	15	16-1/5	8-5/8	11-13/16	12	1	14-1/4	210
SRD30	35	3/4	12	19	16-1/2	5/8	16-1/2	17-1/8	9-1/4	11-13/16	12	1	17	280

[1] other rpm's available.
[2] HP is typical and based on maximum capacity.

BUSH & WILTON, INC.

P.O. Box 691385 | Charlotte, NC 28227- 7024
Tel: 704.573.6858 | Fax: 704.573.6802

mail@bushandwilton.com
http://www.bushandwilton.com