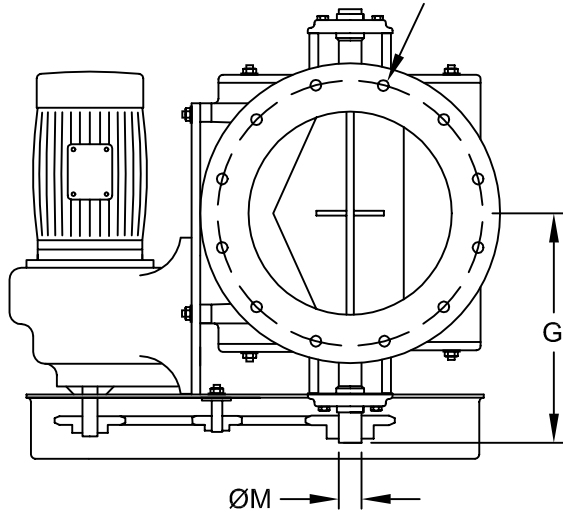


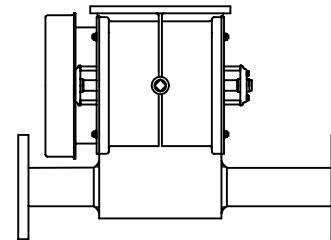
No. J holes drilled K
off-center on $\varnothing L$

4 holes 1/2"x13
tapped each side



"BS" Series Blow-Through Rotary Valve

Also available with flanged pneumatic connections.



MODEL	cu.ft./hour @ 1 rpm [1]	HP [2]	A	B	C	D	E	F	G	H	J	K	L	M	N (npt)	O	P	R	S	T (npt)	U	weight
BS15	6	1/2	6	11	1/2	5-1/4	11-5/8	9-1/2	11-9/16	15-3/8	8	7/8	9-1/2	40mm	1	7	7	2-1/2	9	3 or 4	6	187
BS20	14	1/2	8	13-1/2	5/8	6-3/4	14-3/4	11-3/16	13-3/16	16	8	7/8	11-3/4	40mm	1	8	8-1/2	2-1/2	11-1/8	3 or 4	7	265
BS25	28	1	10	16	3/4	7-3/4	16-1/4	12-1/2	14-3/4	20-7/8	12	1	14-1/4	40mm	1-1/2	9-1/2	11	3-1/2	13	4 or 5	8	430
BS30	48	1-1/2 - 2	12	19	3/4	9-1/4	17-3/8	13-13/16	16	20-7/8	12	1	17	45mm	1-1/2	10-1/2	13-1/8	3-1/2	15-1/8	4 or 5	8	573
BS35	82	1-1/2 - 2	14	21	3/4	12	19-1/4	15-3/4	18-1/4	23	12	1-1/8	18-3/4	45mm	3	12-1/2	14	3-1/2	17	5 or 6	9	838

[1] Standard rpm's: 12.5, 15.5, 18, 21, 25, 31, 35, 42 rpm - other speeds available.

[2] HP is typical and is based on maximum capacity.

Dimensions are approximate and subject to change without notice.

Copyright 1998 Bush & Wilton, Inc. - All Rights Reserved

BUSH & WILTON, INC.

P.O. Box 691385 | Charlotte, NC 28227- 7024

Tel: 704.573.6858 | Fax: 704.573.6802

mail@bushandwilton.com

http://www.bushandwilton.com