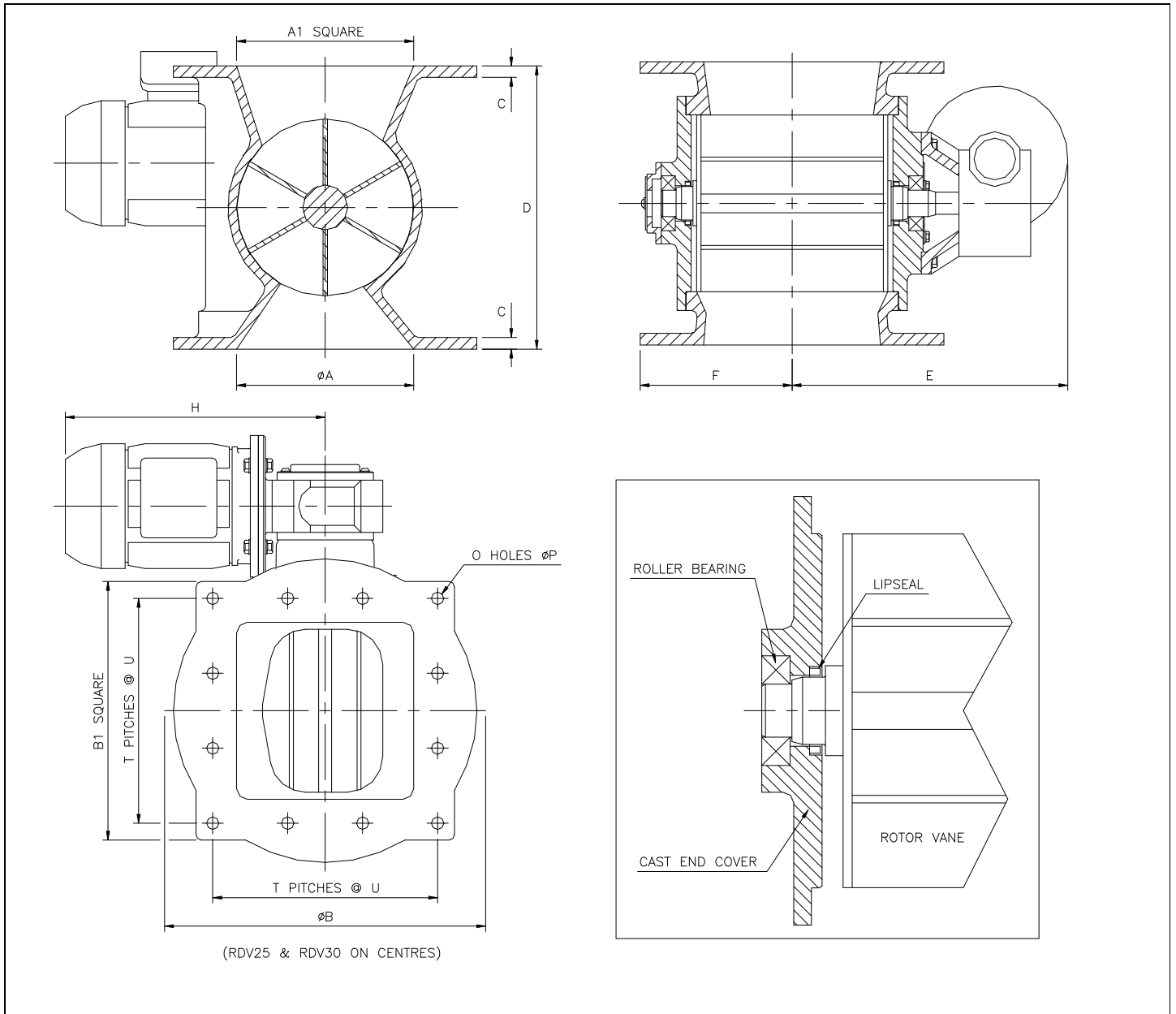


# “RDV” Series Rotary Valve



Dimensions are approximate and subject to change without notice.

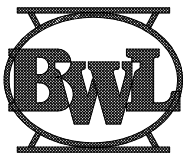
Model	cu.ft./hr @ 1 rpm	HP [2]	A	A1	B	B1	C	D	E	F	H	O	P	T	U	Weight (lbs)
<b>RDV 15</b>	3.5	1/2	5 15/16	5 15/16	11	9 7/16	1/2	10 5/8	11 5/8	5 3/4	14	12	9/16	3	2 3/4	100
<b>RDV 20</b>	11	1/2	7 7/8	7 7/8	13 1/2	11 1/2	1/2	12 5/8	12 5/8	6 3/4	14	12	9/16	3	3 5/16	144
<b>RDV 25</b>	25	3/4	10	10	16	14 1/4	1/2	15	13 15/16	8 1/8	15	12	9/16	3	4 11/64	210
<b>RDV 30</b>	35	3/4	12	12	19	16 1/2	11/16	16 1/2	14 13/16	9 9/16	15	16	9/16	3	3 5/8	276

Drillings are Bush & Wilton Standard. Variations can be made.

[1] other rpm's available.

Copyright 2002 Bush & Wilton Inc. - All Rights Reserved

[2] HP is typical and based on maximum capacity.



## Bush & Wilton, Inc.

PO Box 691385, Charlotte, NC 28277  
 Tel 704-573-6858 ~ Fax 704-573-6802  
 mail@bushandwilton.com