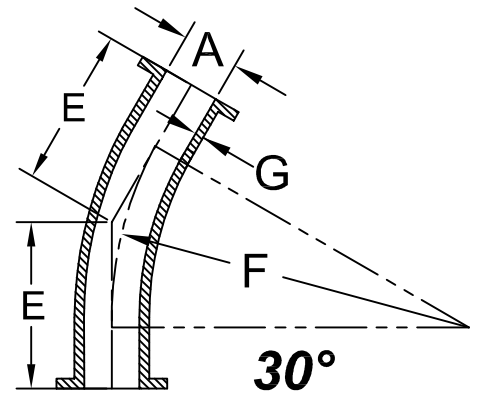
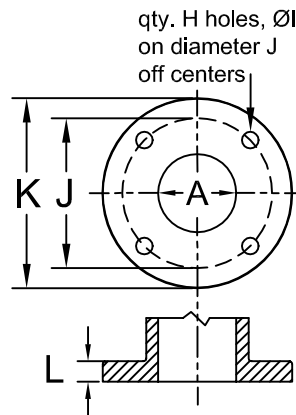
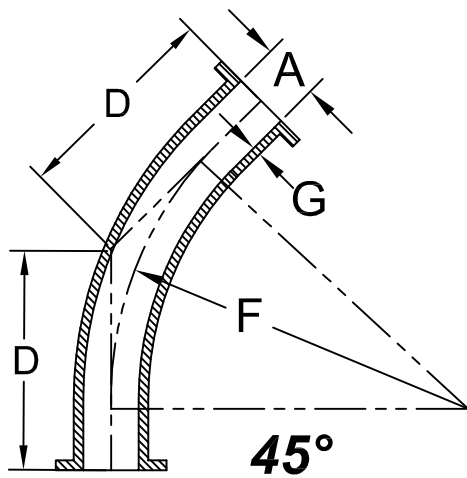
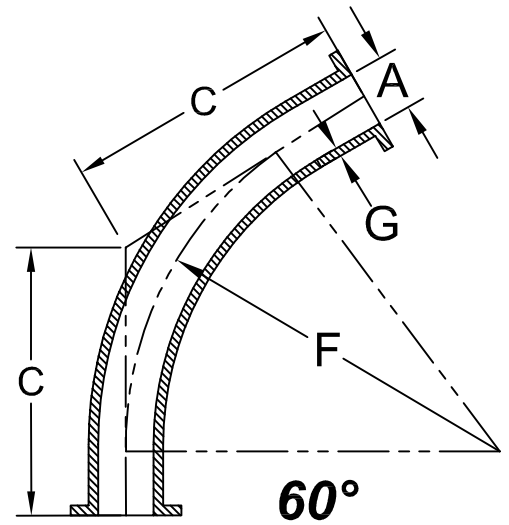
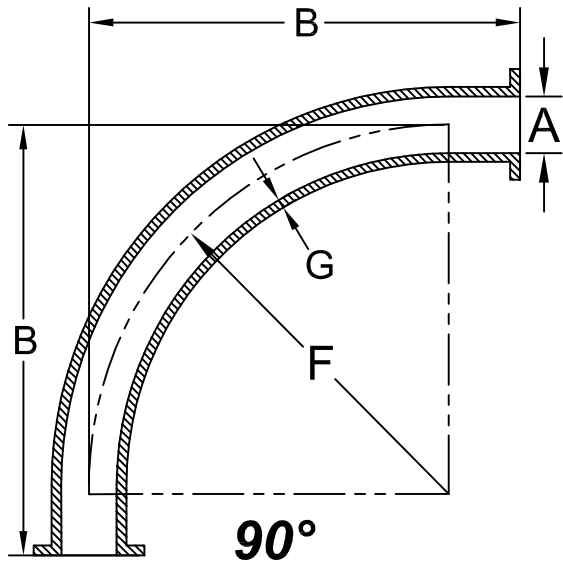


# Large Radius *Ni-hard* Corners



Dimensions are approximate and subject to change without notice.

I.D.	90°	60°	45°	30°	radius	wall	Flange Dimensions (ASA150)					90° 60° 45° 30°			
	B	C	D	E			F	G	H	I	J	K	L	weight (approximate)	
2	15	10	8	6-1/4	12	1/2	4	3/4	4-3/4	6	7/8	35	30	24	16
3	21	133/8	10	7-7/8	18	5/8	4	3/4	6	7-1/2	25/32	86	65	56	48
4	27	16-7/8	13	9-1/2	24	5/8	8	3/4	7-1/2	9	25/32	128	102	90	65
5	33	20-3/8	15	11	30	11/16	8	7/8	8-1/2	10-1/2	1	219	165	120	80
6	39	23-3/4	18	12-5/8	36	11/16	8	7/8	9-1/2	11-1/4	7/8	298	225	185	120
8	51	30-3/4	23	15-7/8	48	3/4	8	7/8	11-3/4	13-1/2	1-1/8	515	375	305	210
10	63	37-5/8	28	19	60	13/16	12	1	14-1/4	16	1	754	520	404	285

Copyright 1998 Bush & Wilton, Inc. - All Rights Reserved

## BUSH & WILTON, INC.

P.O. Box 691385 | Charlotte, NC 28227- 7024

Tel: 704.573.6858 | Fax: 704.573.6802

mail@bushandwilton.com

http://www.bushandwilton.com