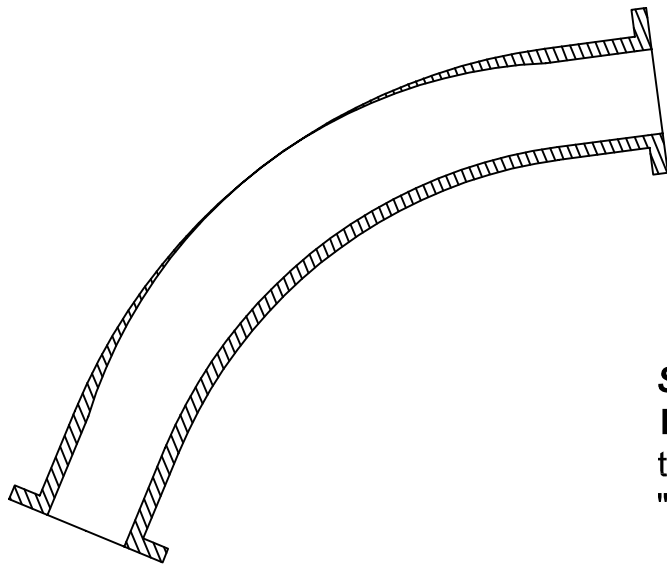


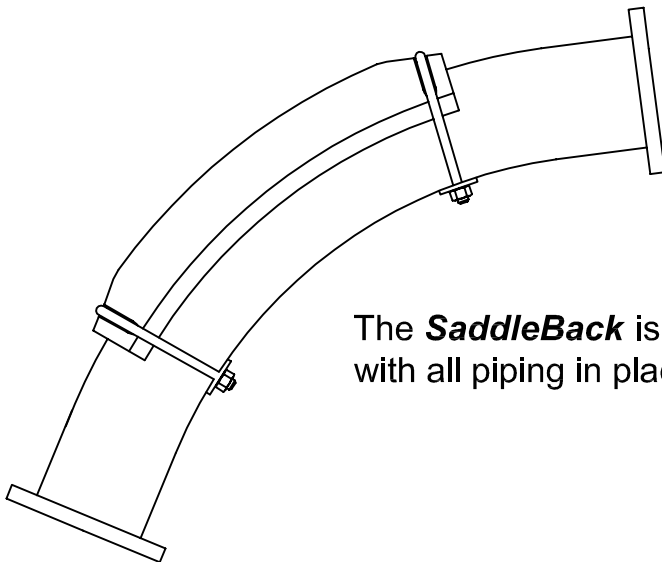
SaddleBack Repair Kits for Large Radius Ni-hard Corners

For 3", 4", 5", & 6" Large Radius Ni-hard Corners

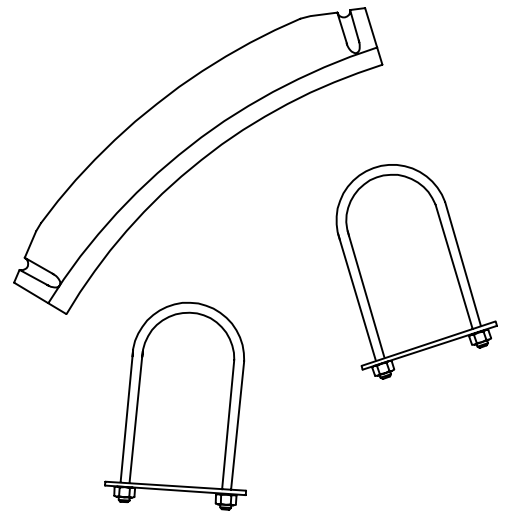


After many years of use even a B&W Ni-hard corner can wear thin. Economical **SaddleBack Repair Kits** are fast and simple to install.

SaddleBacks are 1-3/4" thick Ni-hard castings - three times thicker than the original corners. Kit includes "U" bolts, nuts and securing plates.



The **SaddleBack** is installed with all piping in place.



Copyright 1998 Bush & Wilton, Inc. - All Rights Reserved

BUSH & WILTON, INC.

P.O. Box 691385 | Charlotte, NC 28227- 7024
Tel: 704.573.6858 | Fax: 704.573.6802

mail@bushandwilton.com

<http://www.bushandwilton.com>