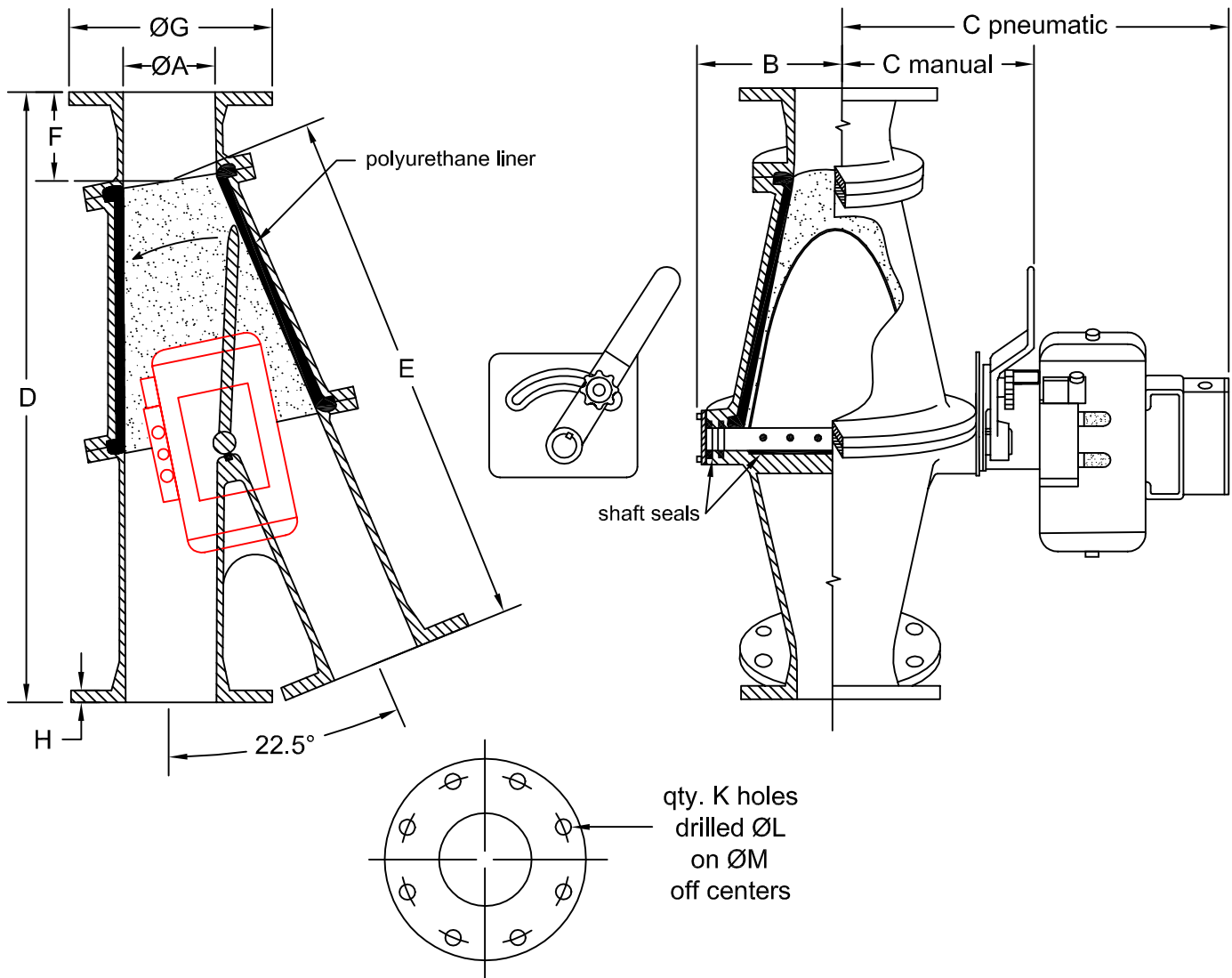


"DMFL" Lined Conveying Diverter



Model	A	B	C (Man.)	C (Pneu.)	D	E	F	G	H	K	L	M	Weight
DMFL05	2	4-3/4	7-7/8	15-3/8	19-1/4	15-11/16	3-1/2	6	1/2	4	3/4	4-3/4	77
DMFL06	2.5	4-3/4	7-7/8	15-3/8	19-1/4	15-11/16	3-1/2	7	1/2	4	3/4	5-1/2	88
DMFL08	3	5-1/2	8-5/8	16	23-5/8	19-3/8	4-5/16	7-1/2	1/2	4	3/4	6	99
DMFL10	4	6-3/8	9-5/8	17	28	23-3/4	4-5/16	9	5/8	8	3/4	7-1/2	132
DMFL15	6	8-3/8	12-3/4	20-1/4	36-7/8	28	8-7/8	11	5/8	8	7/8	9-1/2	287

Copyright 1998 Bush & Wilton, Inc. - All Rights Reserved

dimensions are approximate and subject to change without notice.

BUSH & WILTON, INC.

P.O. Box 691385 | Charlotte, NC 28227-7024

Tel: 704.573.6858 | Fax: 704.573.6802

mail@bushandwilton.com

http://www.bushandwilton.com