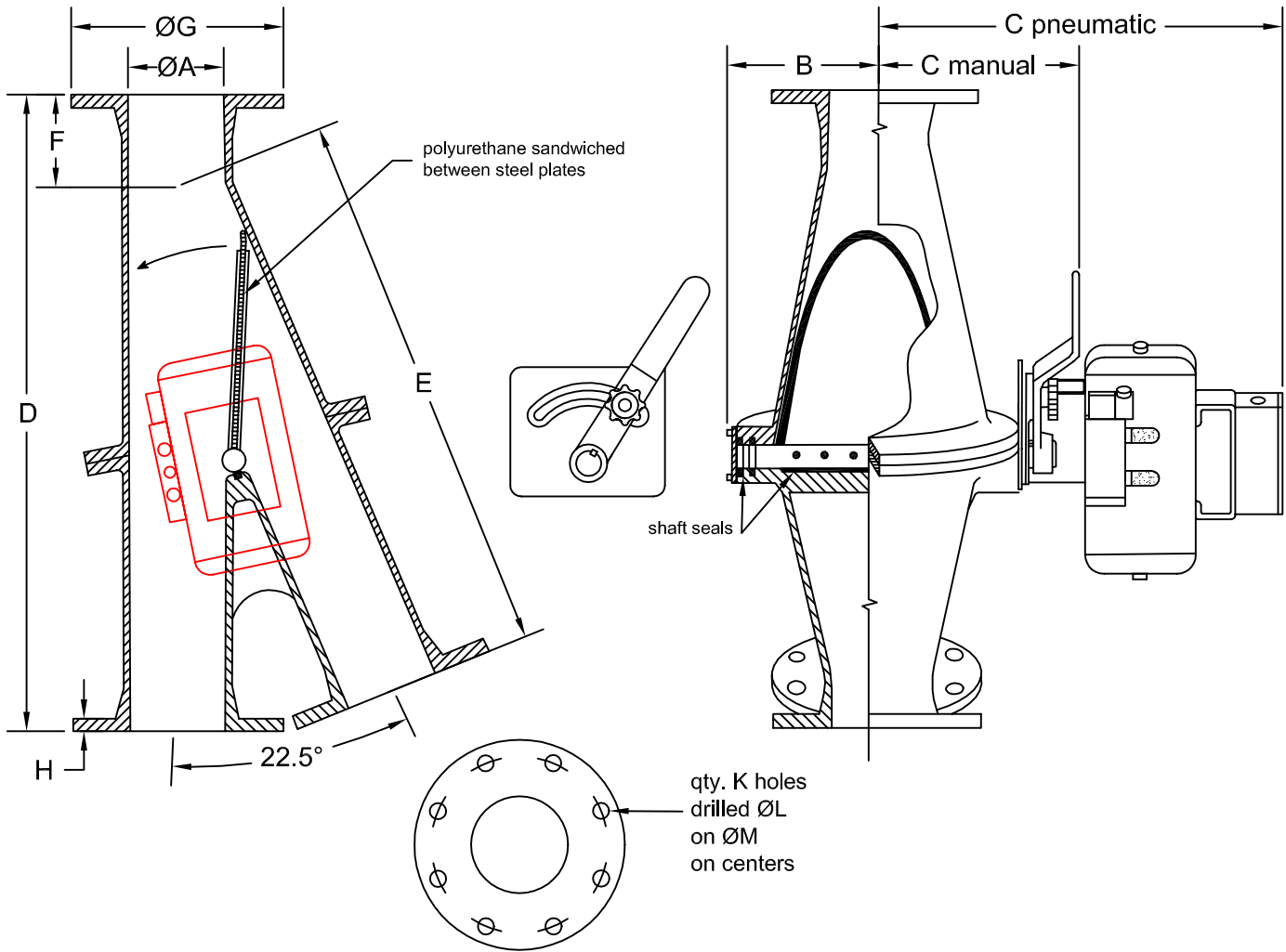


"DMF" Conveying Diverter



dimensions are approximate and subject to change without notice

Model	A	B	C (Man.)	C (Pneu.)	D	E	F	G	H	K	L	M	Weight
DMF05	2	4-3/4	7-7/8	15-3/8	17-3/8	15-5/8	1-5/8	6	1/2	4	3/4	4-3/4	77
DMF06	2.5	4-3/4	7-7/8	15-3/8	19-7/8	18-1/8	1-5/8	7	1/2	4	3/4	5-1/2	88
DMF08	3	5-1/2	8-5/8	16	21	19-3/8	1-5/8	7-1/2	1/2	4	3/4	6	99
DMF10	4	6-3/8	9-5/8	17	25-7/16	23-3/4	1-5/8	9	5/8	8	3/4	7-1/2	132
DMF12	5	8-3/8	12-3/4	20-1/4	39-1/4	31-5/8	7-9/16	10	5/8	8	7/8	8-1/2	216
DMF15	6	8-3/8	12-3/4	20-1/4	30-1/8	28	2-1/8	11	5/8	8	7/8	9-1/2	320
DMF20	8	10-1/4	14-3/4	22-1/4	35-7/8	33-7/8	2	13-1/2	3/4	8	7/8	11-3/4	441
DMF25	10	12-1/4	18-3/4	26-1/8	42-5/8	40-1/2	2-1/8	16	1	12	1	14-1/4	849
DMF30	12	14-5/8	23-7/8	31-3/8	51	48-7/8	2-1/8	19	1	12	1	17	1,257

Copyright 1998 Bush & Wilton, Inc. - All Rights Reserved

BUSH & WILTON, INC.

P.O. Box 691385 | Charlotte, NC 28227- 7024
Tel: 704.573.6858 | Fax: 704.573.6802

mail@bushandwilton.com
http://www.bushandwilton.com