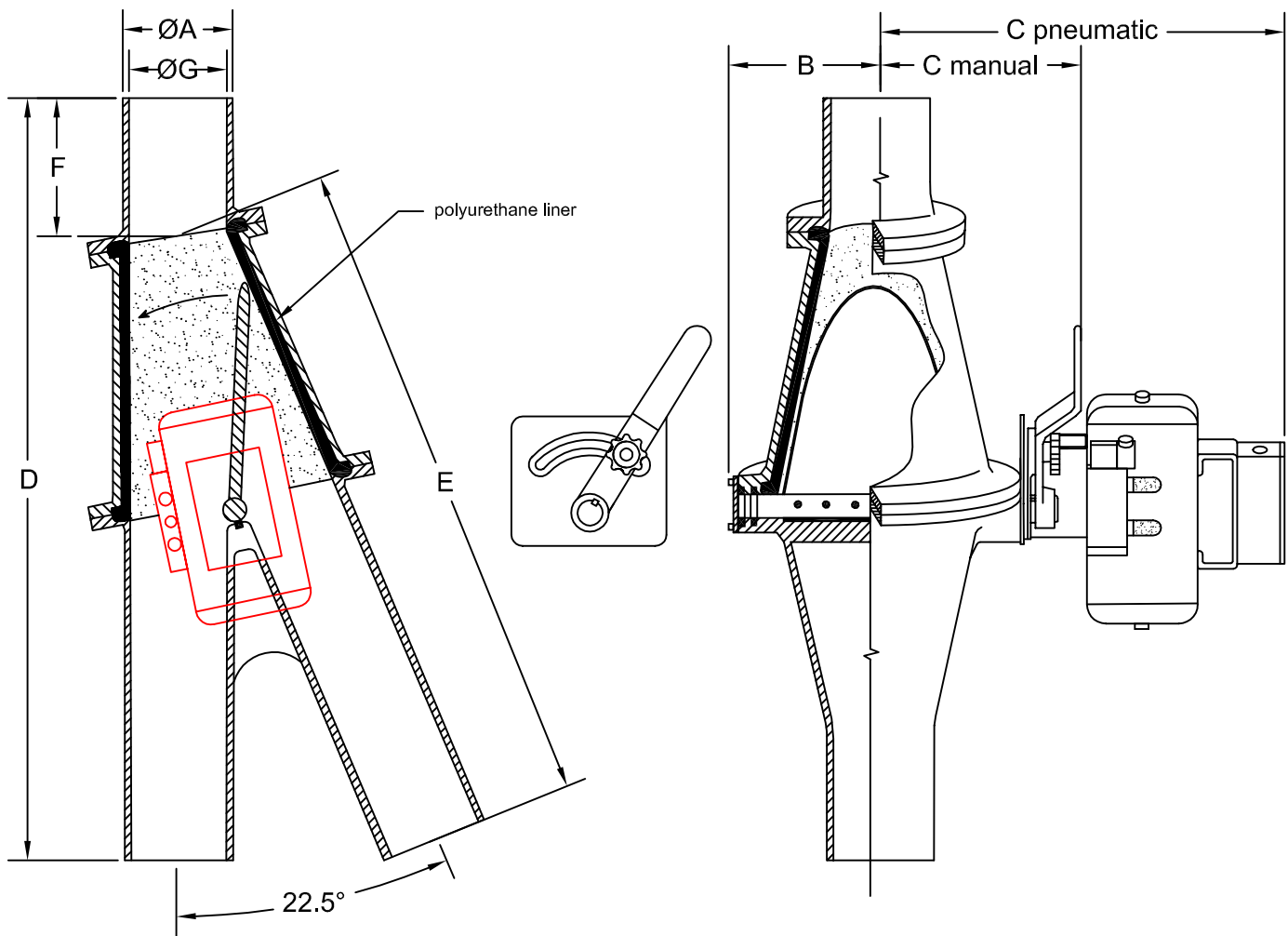


"DMCL" Lined Conveying Diverter



Dimensions are approximate and subject to change without notice.

Model	A (OD)	B	C (Man.)	C (Pneu.)	D	E	F	G (ID)	Weight
DMC05	2	4-3/4	7-7/8	15-3/8	23-3/4	19-3/8	4-3/8	1-1/2	77
DMC06	2.5	4-3/4	7-7/8	15-3/8	23-3/4	19-3/8	4-3/8	2	88
DMC08	3	4-3/4	7-7/8	15-3/8	22-7/8	19-3/8	3-3/8	2-1/2	99
DMC10	4	6-3/8	9-1/2	17	32-3/8	24-1/8	8-1/4	3-1/2	132
DMC11	4.5	6-3/8	9-1/2	17	32-3/8	24-1/8	8-1/4	4	209
DMC15	6	8-3/8	12-3/4	20-1/4	44-3/8	33-1/8	11-1/4	5-1/2	287
DMC17	6-5/8	10-1/4	12-3/4	20-1/4	38-3/8	29-3/8	9	6-1/8	331

Copyright 1998 Bush & Wilton, Inc. - All Rights Reserved

BUSH & WILTON, INC.

P.O. Box 691385 | Charlotte, NC 28227- 7024
 Tel: 704.573.6858 | Fax: 704.573.6802

<http://www.bushandwilton.com>
mail@bushandwilton.com