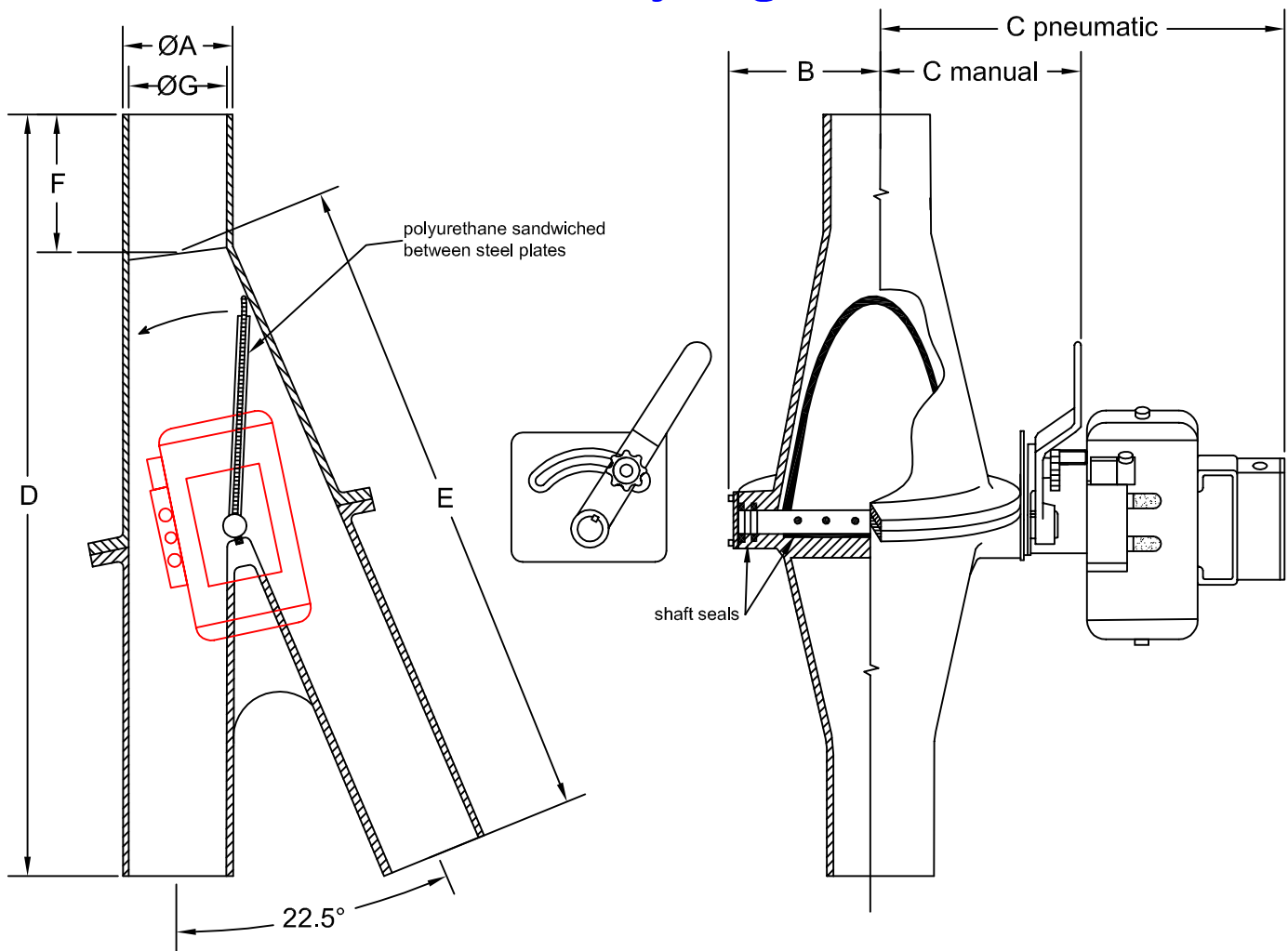


"DMC" Conveying Diverter



Dimensions are approximate and subject to change without notice.

Model	A (OD)	B	C (Man.)	C (Pneu.)	D	E	F	G (ID)	Weight
DMC05	2	4-3/4	7-7/8	15-3/8	25-3/8	19-5/8	5-5/8	1-1/2	66
DMC06	2.5	4-3/4	7-7/8	15-3/8	27-1/8	21-5/8	5-1/2	1-7/8	77
DMC08	3	4-3/4	7-7/8	15-3/8	22-3/4	19-3/8	3-3/8	2-1/2	88
DMC10	4	6-3/8	9-1/2	17	36	28-5/8	7-1/4	3-1/2	121
DMC11	4.5	6-3/8	9-1/2	17	28-5/8	24-1/8	4-1/2	4	198
DMC12	5	8-3/8	12-3/4	20-1/4	41	32-7/8	8-1/8	4-1/2	254
DMC15	6	8-3/8	12-3/4	20-1/4	42-1/4	33-1/8	9-1/8	5-1/2	276
DMC17	6-5/8	10-1/4	12-3/4	20-1/4	34-7/8	29-3/8	5-3/8	6-1/8	320
DMC20	8	10-1/4	14-3/4	22-1/4	48	39-1/4	8-7/8	7-1/2	375
DMC22	8-5/8	10-1/4	14-3/4	22-1/4	42-7/8	36-5/8	6-1/8	8-1/8	419
DMC25	10-3/4	12-1/4	18-3/4	26-1/8	54-5/8	46-1/2	8-1/8	10	728
DMC30	12	14-5/8	23-7/8	31-3/8	63-1/8	54-7/8	8-1/4	11	1,080

Copyright 1998 Bush & Wilton, Inc. - All Rights Reserved

BUSH & WILTON, INC.

P.O. Box 691385 | Charlotte, NC 28227- 7024

Tel: 704.573.6858 | Fax: 704.573.6802

mail@bushandwilton.com

http://www.bushandwilton.com