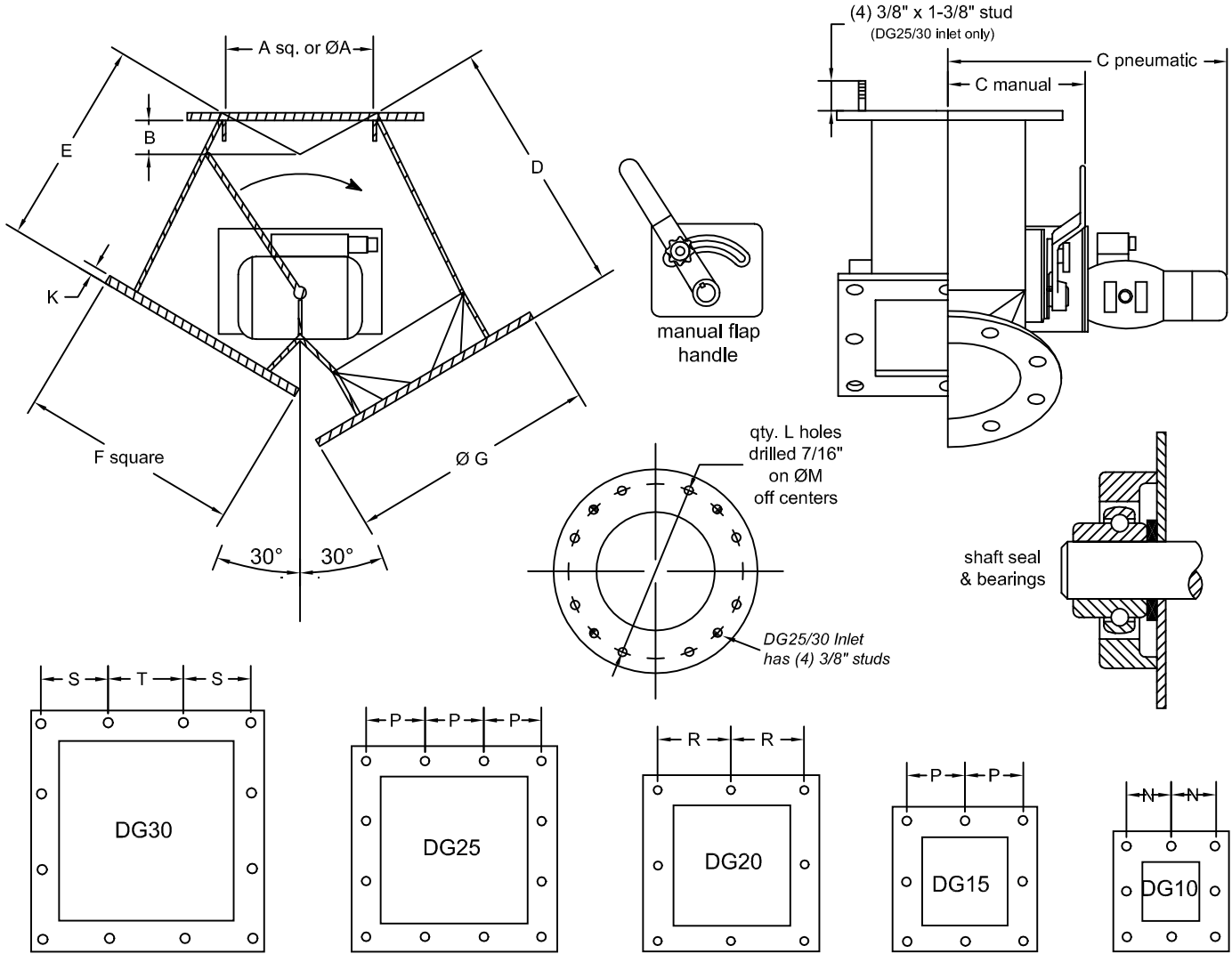


"DG" (30°/30°) Gravity Diverter



Dimensions are approximate and subject to change without notice.

Model	A	B	C (Man)	C (Pneu)	D	E	F	G	H	J	K	L	M	N	P	R	S	T	Weight
DG(30°/30°)-10	4	1-9/16	6-7/8	14-5/8	10	7-1/2	7-7/8	9	10	12-5/8	3/8	8	7-1/2	3					55
DG(30°/30°)-15	6	1-9/16	7-7/8	15-1/2	11-13/16	9-1/4	9-7/8	11	12-3/8	15	3/8	8	9-1/2		3-15/16				66
DG(30°/30°)-20	8	1-9/16	9	16-1/2	13-3/8	10-7/8	11-13/16	13-1/2	14-9/16	17-1/4	3/8	8	11-3/4			4-13/16			82
DG(30°/30°)-25	10	3-1/8	10-1/2	17-1/2	15-1/8	12-5/8	13-13/16	16	17	19-5/8	3/8	12	14-1/4		3-15/16				106
DG(30°/30°)-30	12	3-1/8	11-7/8	18-1/2	16-15/16	14-3/8	15-3/4	19	19	22-1/8	3/8	12	17				4-1/2	5	132

Wall thickness is typically 3/32" up to Model DG30 (12") - Custom sizes over 12" typically have wall thickness of 3/16".

Copyright 1999 Bush & Wilton, Inc. - All Rights Reserved

BUSH & WILTON, INC.

P.O. Box 691385 | Charlotte, NC 28227- 7024

Tel: 704.573.6858 | Fax: 704.573.6802

mail@bushandwilton.com

http://www.bushandwilton.com