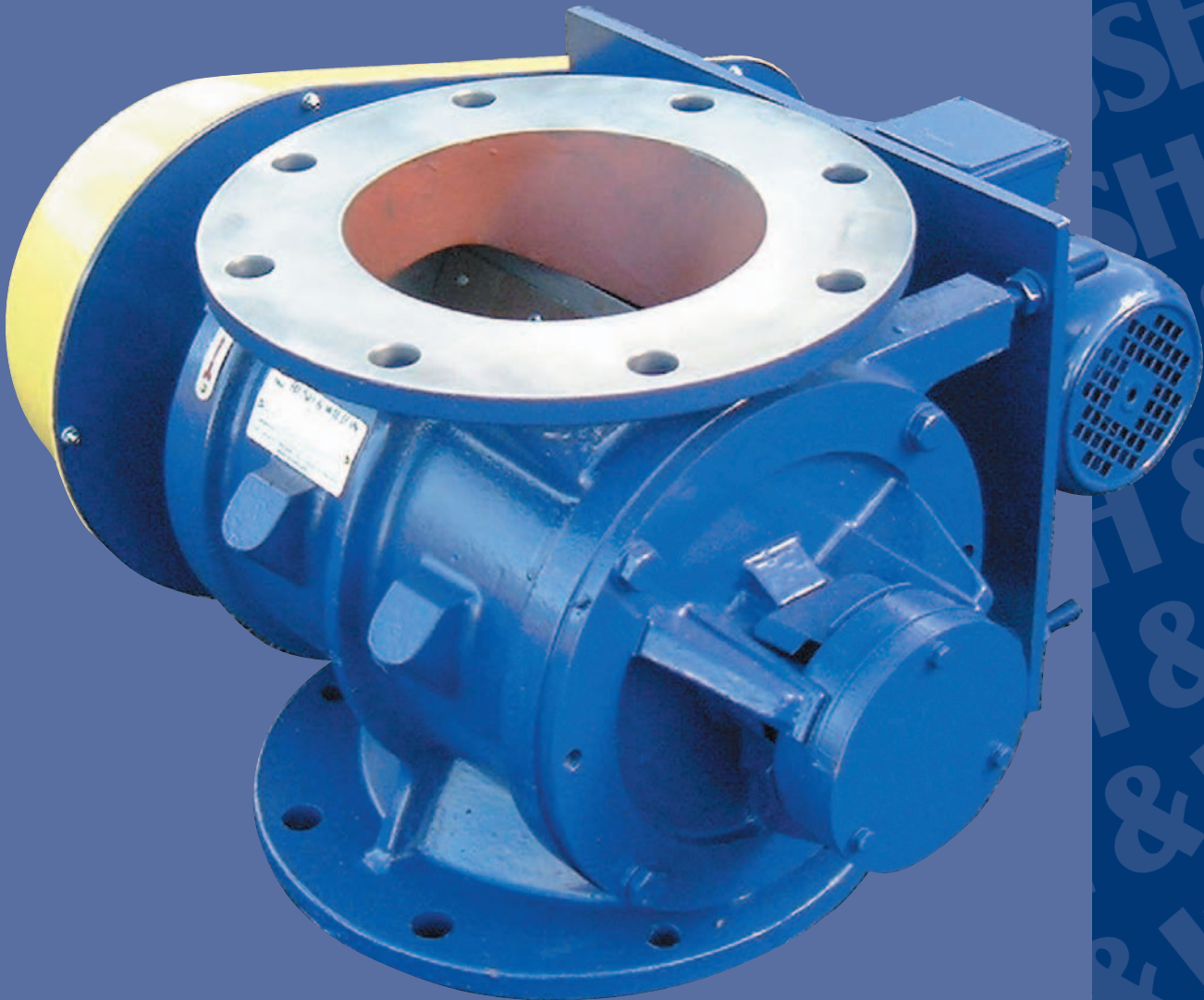


BUSH & WILTON

ROTARY AIRLOCKS



UNIVERSAL RANGE IF 'U' SERIES

www.bushandwilton.com



BUSH & WILTON

ROTARY AIRLOCKS

INTRODUCTION Bush & Wilton - THE INNOVATIVE VALVE SPECIALISTS

Bush & Wilton Rotary Airlocks are designed for use under gravity, pressure and vacuum conditions.

They are suitable for metering a wide range of dry solids, granular, pelleted and powdered type materials from the outlets of silos, hoppers, cyclones, mixers, weighers, etc.

Rotary Airlocks have to perform under diverse operating conditions and since no single design of valve can economically perform all duties, Bush & Wilton have developed three rotary valve variants.

These are the **IF'U' Series** which in standard form are suitable for applications where pressure differentials do not exceed 1.0 Bar, heavy duty versions of the valve are available for use with difficult materials and higher pressures & are re-called the **IF 'EHD' Airlocks**.

The **SR Tapered Rotor Range** for pressure differentials not greater than 0.7 Bar and the SRD range specifically developed for discharging dust collectors and cyclones, etc, max 0.05 Bar.

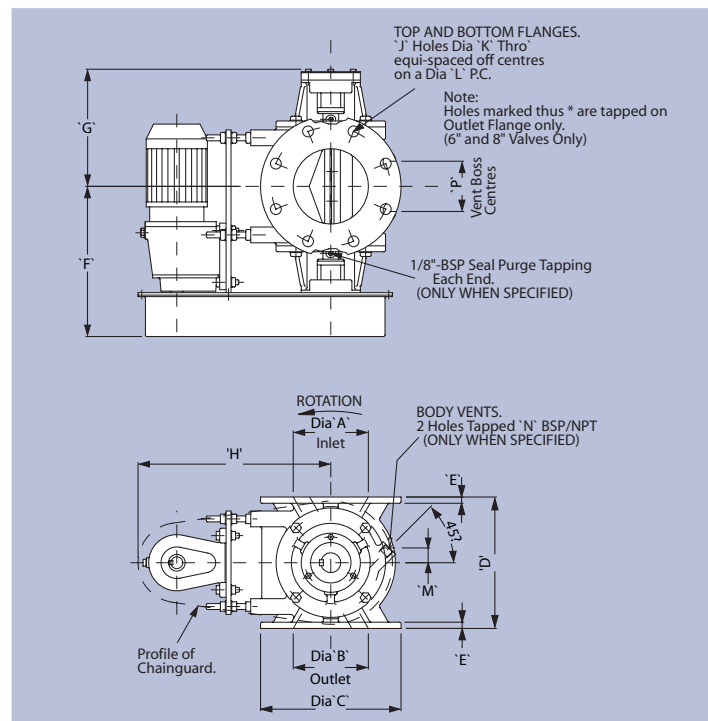
THE UNIVERSAL ROTARY AIRLOCKS (MODEL IF 'U' RANGE)

Bush & Wilton is a leading international company manufacturing a range of Bulk Handling Equipment covering an extensive range of Rotary Airlocks, Gravity & Conveying Diverters and a quality range of Slide Valves.

Bush & Wilton continues to manufacture a large range of Extra Heavy Duty Type Airlocks with 'Special' features to meet customers demands (IF 'EHD' Range).

Its range of the unique Tapered Rotary Valves are well established in the market place but again it comes under the 'Special' category. Bush & Wilton's new IF 'U' range is to meet design simplification with the following features and will constitute its major production model:

- HEAVY DUTY BODY
- END COVERS WITH SEALED FOR LIFE BEARINGS MOUNTED OUTBOARD
- GLANDS STUFFING BOX TYPE WITH PURGE FACILITY OPTIONS
- ROTORS ADJUSTABLE BLADED OPEN TYPE FABRICATED (CLOSED TIP OPTIONS)
- VARIED OPTIONS OF TIPS TO SUIT PRODUCT NEEDS
- BODY VENTS
- ABRASIVE DUTY TYPES (TUNGSTEN CARBIDE TYPE WITH ABRASIVE RESISTANT ADJUSTABLE TIPS)
- COMPLETE DRIVE OPTIONS



VALVE SIZE	DIA 'A'	DIA 'B'	DIA 'C'	D	E	F	G	H	ASA ISO		BS4504. 1969. PN10		M	N	P	cu ft/hr	HP		
									J	DIA 'K'	DIA 'L'PC	J						DIA 'K'	DIA 'L'PC
4"	4.00"	3.94"	9.00"	7.25"	.50"	10.63"	8.11"	15.39"	8	5/8"-UNC	7.500"	8	5/8"-UNC	7.087"	.98"	1/4"-NPT	3.00"	2.12	.50
6"	6.00"	5.91"	11.22"	10.50"	.50"	11.89"	9.50"	15.75"	8	.88"	9.500"	8	22.0	240.00	30.0	1/2"-BSP	4.00"	6.01	.50
8"	8.00"	7.87"	13.50"	13.50"	.63"	14.25"	10.47"	16.00"	8	.88"	11.750"	8	.88"	11.614"	1.38"	1/2"-NPT	5.00"	14.13	.50
10"	10.00"	9.84"	16.00"	15.50"	.75"	15.28"	11.50"	20.87"	12	1.00"	14.250"	12	.88"	13.780"	1.42"	3/4"-NPT	6.00"	27.92	1.0
12"	12.00"	11.81"	19.00"	18.50"	.75"	16.34"	12.56"	20.87"	12	1.00"	17.000"	12	.88"	15.748"	1.57"	3/4"-NPT	6.50"	47.40	1.0
14"	14.00"	13.78"	21.00"	24.00"	.88"	18.35"	14.57"	23.00"	12	1.12"	18.750"	16	.88"	18.110"	1.97"	1 1/2"-NPT	7.50"	83.04	1.5
16"	16.00"	15.75"	23.50"	29.00"	1.00"	19.00"	15.28"	27.20"	16	1.12"	21.250"	16	1.02"	20.276"	2.17"	1 1/2"-NPT	8.00"	125.4	2.0
18"	18.00"	17.72"	25.25"	30.00"	1.12"	21.46"	17.64"	27.72"	16	1.25"	22.750"	20	1.02"	22.244"	2.17"	1 1/2"-NPT	9.75"	195.8	3.0
20"	20.00"	19.69"	27.75"	33.00"	1.12"	22.80"	19.72"	28.86"	20	1.25"	25.000"	20	1.02"	24.409"	1.97"	2"-NPT	11.50"	259.7	3.0
24"	24.00"	23.62"	32.50"	36.50"	1.12"	25.79"	21.14"	36.02"	20	1.38"	29.50"	20	1.18"	28.543"	2.36"	2"-NPT	13.50"	330.0	4.0

RANGE: 4" (100mm) through to 24" (600mm)
CONSTRUCTION MATERIALS: Cast Iron / Mild Steel, Stainless Steel, Aluminum / Stainless Steel

This range will meet the standard applications encountered in industry but will be stocked in the Abrasive Duty Type for the special applications. This range will not phase out the 'IF' model presently produced but compliment the range.

THIS IF 'U' RANGE IS COMPETITIVELY PLACED TO INTEREST MOST SYSTEM DESIGNERS AND END USERS.