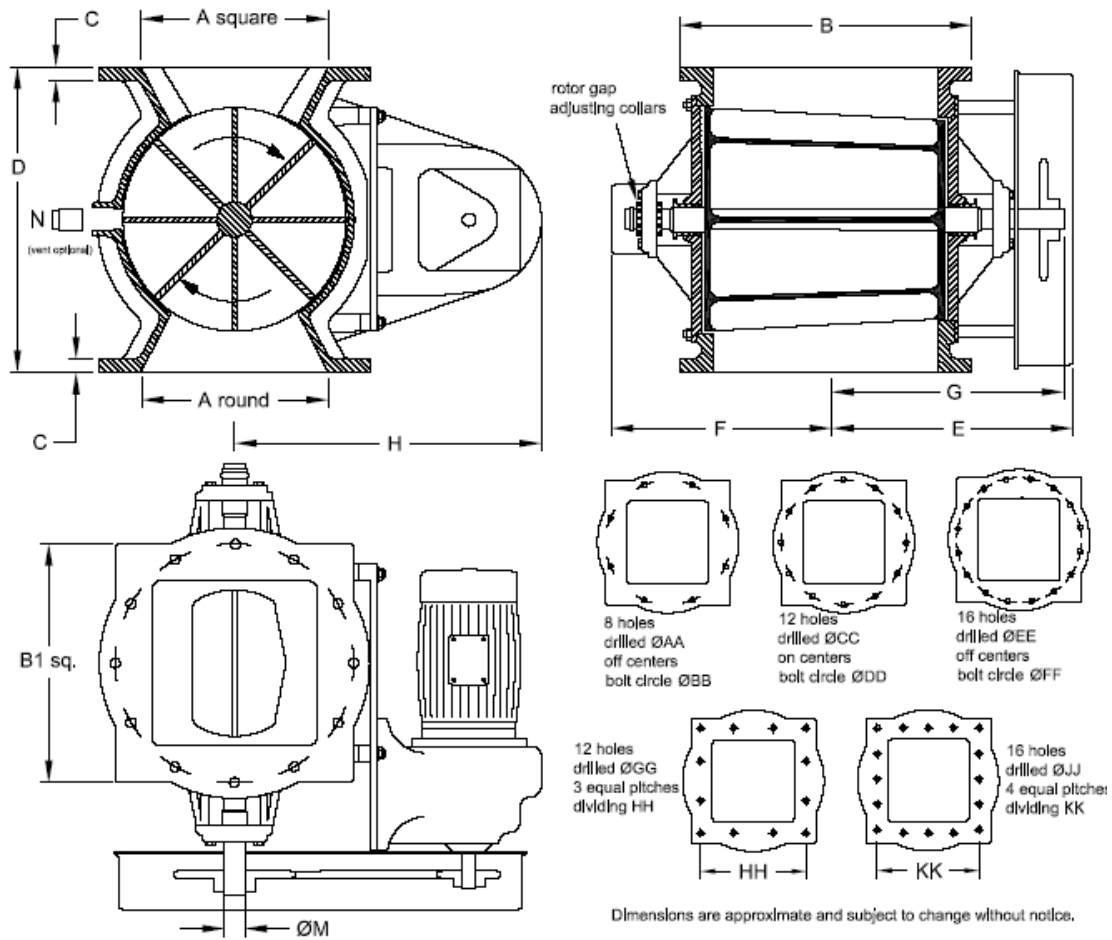


'SR' Series Tapered Rotary Valve



Valve Size											ASA 150						SQUARE				Wt KG	
	ØA	ØB	B1 sq	C	D	E	F	G	H	ØM	N Thd	AA	BB	CC	DD	EE	FF	GG	HH	JJ		KK
SR15	150	280	240	12	270	297	263	277	391	30	¾"BSP	22	241					14	210			45
SR20	200	343	292	13	320	330	278	292	406	30	¾"BSP	22	299					14	254			100
SR25	250	406	362	13	381	378	341	354	530	35	1"BSP			25	362			14	318			145
SR30	300	483	419	17	420	396	357	370	530	35	1"BSP			25	432					14	368	195
SR35	350	533	457	20	500	420	383	387	607	45	1½"BSP			29	476					14	419	265
SR40	400	597	526	22	550	446	408	423	607	45	1½"BSP					29	540			19	476	335

BUSH & WILTON LTD

6 Millennium Place

Tiverton, Devon EX16 6SB

Tel: 01884 242233 / Fax: 01884 252555

sales@bushandwilton.com / www.bushandwilton.com