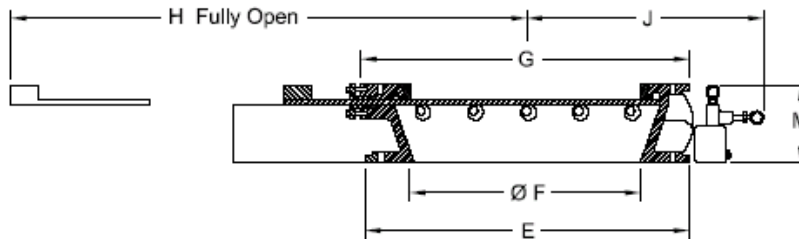
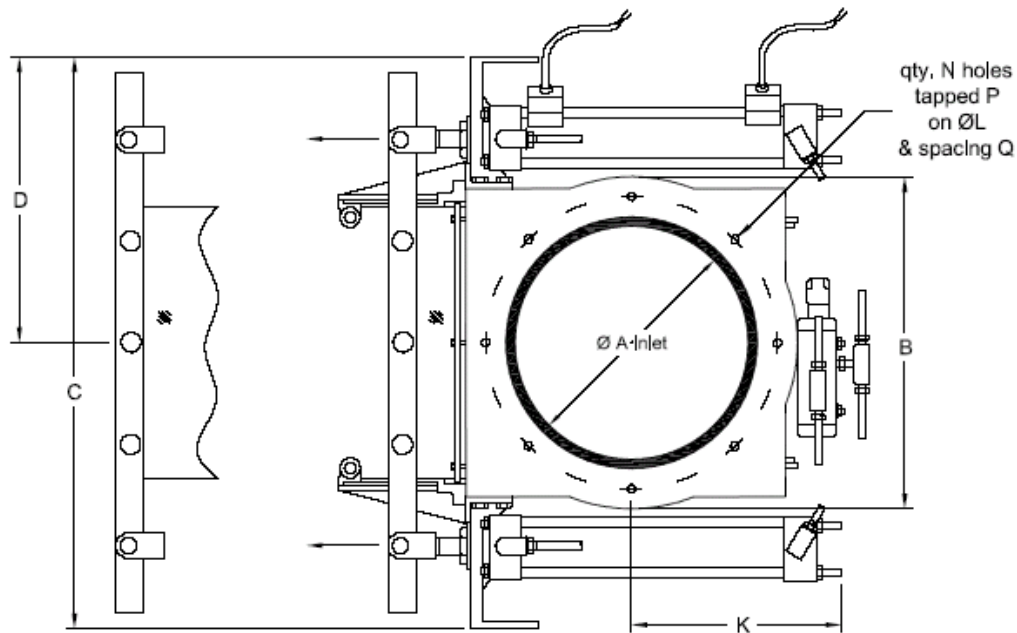


SBT PNEUMATIC SLIDE GATE VALVE (TWIN CYLINDER)



Dimensions are approximate and subject to change without notice.

Valve Size	A	B	C	D	E	F	G	H	J	K	L	M	N	P	Q	Weight KG
SB15T	150	270	526	263	270	150	270	360	220	175	230	89	8	M10	45° on centres	19
SB20T	200	320	576	288	320	200	320	435	245	200	280	89	8	M10	45° on centres	20
SB25T	250	370	626	313	370	250	370	510	270	225	330	89	8	M10	45° on centres	26
SB30T	300	420	676	338	420	300	420	585	295	250	380	89	8	M10	45° on centres	26
SB35T	355	533	745	373	533	355	533	755	322	225	476	102	12	M12	30° off centres	30
SB40T	405	597	900	450	597	405	597	875	354	225	540	102	16	M12	22.5° off centres	34

Weights are for aluminium – iron & stainless steel are approximately 2X weights shown

BUSH & WILTON LTD

6, Millennium Place
Tiverton Business Park
Tiverton
Devon EX16 6SB

Tel: + 44 (0) 1884 242233 Fax: + 44 (0) 1884 252555
sales@bushandwilton.com <http://www.bushandwilton.com>