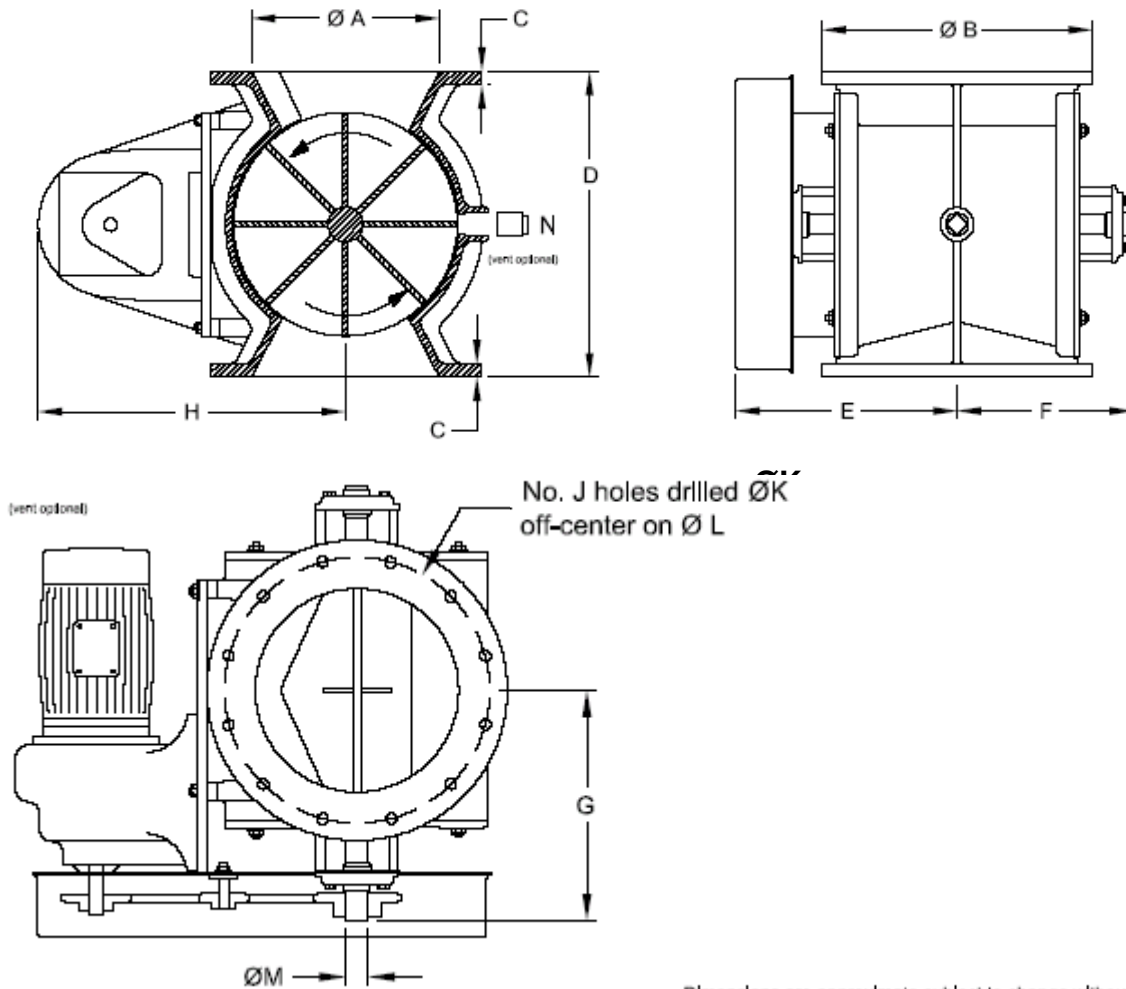


# IF Series Drop Through Rotary Valve



Dimensions are approximate subject to change without notice.

Valve Size	ØA	ØB	C	D	E	F	G	H	ASA 150			ØM	N Thd	Weight KG
									J	K	L			
IF 10	102	229	13	184	263	203	248	391	8	M16	191	30	3/4" BSP	70
<b>IF 15</b>	<b>152</b>	<b>280</b>	<b>13</b>	<b>267</b>	<b>294</b>	<b>242</b>	<b>294</b>	<b>391</b>	<b>8</b>	<b>22</b>	<b>241</b>	<b>40</b>	<b>1" BSP</b>	<b>90</b>
IF 20	203	343	16	343	375	284	335	406	8	22	299	40	1" BSP	130
<b>IF 25</b>	<b>254</b>	<b>406</b>	<b>19</b>	<b>394</b>	<b>413</b>	<b>318</b>	<b>375</b>	<b>530</b>	<b>12</b>	<b>25</b>	<b>362</b>	<b>40</b>	<b>1½" BSP</b>	<b>210</b>
IF 30	305	483	19	470	443	351	405	530	12	25	432	45	1½" BSP	280
<b>IF 35</b>	<b>356</b>	<b>533</b>	<b>22</b>	<b>610</b>	<b>488</b>	<b>400</b>	<b>463</b>	<b>584</b>	<b>12</b>	<b>29</b>	<b>476</b>	<b>45</b>	<b>3" BSP</b>	<b>410</b>
IF 40	406	597	25	737	530	416	480	683	16	29	540	45	3" BSP	510
<b>IF45</b>	<b>457</b>	<b>641</b>	<b>29</b>	<b>762</b>	<b>600</b>	<b>486</b>	<b>556</b>	<b>696</b>	<b>16</b>	<b>32</b>	<b>578</b>	<b>55</b>	<b>3" BSP</b>	<b>715</b>
IF60	610	813	29	927	711	591	696	835	20	35	749	75	3" BSP	1150

## BUSH & WILTON LTD

6, Millennium Place  
Tiverton Business Park  
Tiverton  
Devon EX16 6SB

Tel: +44 (0) 1884 242233 Fax: +44 (0) 1884 252555

[sales@bushandwilton.com](mailto:sales@bushandwilton.com)

<http://www.bushandwilton.com>